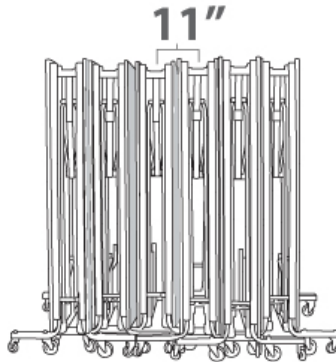
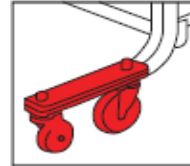


Distributed by
Davidson
 FURNITURE SPECIALTIES LTD.
 40 Konrad Crescent, Markham, Ontario L3R 8T4
 TEL: (905) 475-8376 FAX: (905) 475-0792
 Email: anand@davidsonfurniture.ca

MOBILE BENCH TABLES
19F Series



PATENTED DOUBLEGUARD
 Prevents tip-over when tables are moved in storage position. Meets and exceeds current UL anti-tipping safety standards



STORAGE FOOTPRINT

Three Tables Nested Together Occupy 58" Wide x 56" Long Area
 Each Additional Table Adds 11" To The Stacked Length

Model No.	Opened L x W x H	Storage Height	Seating Capacity		Weight (lbs)
			Children	Adult	
19F06293008	101" x 52" x 29"	54"	10	8	237
19F06293010	125" x 52" x 29"	66"	12	10	279
19F06293012	149" x 52" x 29"	78"	16	12	314

Check Storage Room Door Opening Height To Ensure Folded Unit Clearance.

Shipped Fully Assembled – Ready for Use

Table & Bench Top

- Surface finished with Wilsonart (-60 finish) high pressure plastic laminate bonded to a 3/4" thick, 45 lb particleboard core and sealed with a balancing backing sheet
- Edge finished with sprayed on black EdgeGuard resin

Frame & Leg Assemblies

- Top support consist of low profile 16 gauge, 1 3/4" steel frame
- Centre leg assemblies are 16 gauge, 1", 1 9/16" and 1 3/8" tubular steel
- End leg assemblies are combination of 11 and 14 gauge, 1 1/8" and 1 1/4" tubular steel
- Ball bearing swivel casters are 4" diameter x 1-1/4" wide, Poly II grey rubber
- Black powder coat finish

Safety & Certification

- UL Listed safety standards for rollaway tables
- GREENGUARD Certification



Standard Colour Selections

Plastic Laminate Surface



Grey Glace Golden Oak Fusion Maple White Nebula Montana Walnut Harvest Maple

Black EdgeGuard



Black Metal



Actual colours and patterns may vary. Please refer to sample chips